

KILOTECH

KPOS 1530

851508 POS Scale 15 kg

Pole with display (optional)

Version 1.0

Quick Start Manual



Contents subject to change without notice

www.kilotech.com

Introduction

Thank you for choosing a Kilotech Scale. We appreciate your business and hope that you will enjoy using your scale. Should you require Technical Support, please contact your local dealer from whom you have purchased. Our own Technical Service Department can be reached at 800-694-4445 ext.6023 (Canada) or 877-328-5988 ext 6023 (USA). Happy Weighing!

General Precautions

Avoid lengthy exposure to heat or cold.	Allow the scale to acclimate to normal room temperature before use.
Allow sufficient warm up time.	Turn the scale on and wait for a few minutes to allow the internal components a chance to stabilize before weighing.
Do not leave a load or weight on a scale for a prolonged period of time.	
Do not tamper with the scale yourself.	This will void the warranty. Contact your local distributor or Kilotech directly to properly repair your scale.
Do not disassemble the scale yourself.	This will void the warranty. Contact your local distributor or Kilotech directly to properly repair your scale.
Do not overload beyond the maximum weight limit.	
Do not pull the plug by its cord when unplugging.	
Do not use the scale near fire or corrosive gas.	
Unless the scale is waterproof do not spill water or immerse in water.	
Avoid placing the scale near a heater.	It could cause a fluctuation to the indicator reading.
Always make sure to use a Kilotech approved adapter.	
Do not drop the scale or apply a sudden shock.	
Do not drag the scale.	
Avoid exposing to other electromagnetic devices.	These devices emit RF and can cause unstable readings. If your scale should perform poorly, try moving the scale to a different room or location.
Level the scale or make sure it is on an even surface.	A scale used on an uneven surface may provide an unstable reading.
Scale should be used within stated temperature & humidity limits.	

Specifications

Product Number	851508
Capacity	15 kg / 30 lb / 480 oz
Graduation	0.005 kg / 0.01 lb / 0.2 oz
Weighing Modes	kg, lb, oz
Display	5 ½ digits, 7 segment, 0.58" (15 mm) LCD
Back Light	Blue backlight. Choice of a permanent backlight or you can set it so it works when an item is placed on the platter.
Auto Power Off	
Power	Adapter AC, 7-9 V DC, ≥ 500mA or USB
Product Dimensions	355mm x 305mm x 88.5 mm / 14" x 12" x 3.5"
Platter Size	355mm x 305mm / 14" x 12"
Operating Temperature / Humidity	-10° C - 40° C / 14° F - 104° F / 10 -90% RH without condensation
Input Signal Range	
Display Resolution	
RS232	Yes
Checkweighing Function	
Counting Feature	
Measurement Canada and NTEP approval number	

General key description

Please note that this is a general function description. Some of the keys described below might not be available on your scale. The key examples in this manual are included solely for illustrative purposes. Color or shape of icon might be different.



On/Off Key

This key is used to power the scale on and off. With some scale models, this key is also used to exit from the program menu. On some scales the on/off key is only present as the main switch located at the bottom of the scale and not as a button.



Zero key

The zero key can be used to correct a deviation from zero. Press the Zero key to return to a zero value. The most common cause of a zero deviation is debris on the platter, leaving objects on the platter for excessive periods of time, or near empty battery.

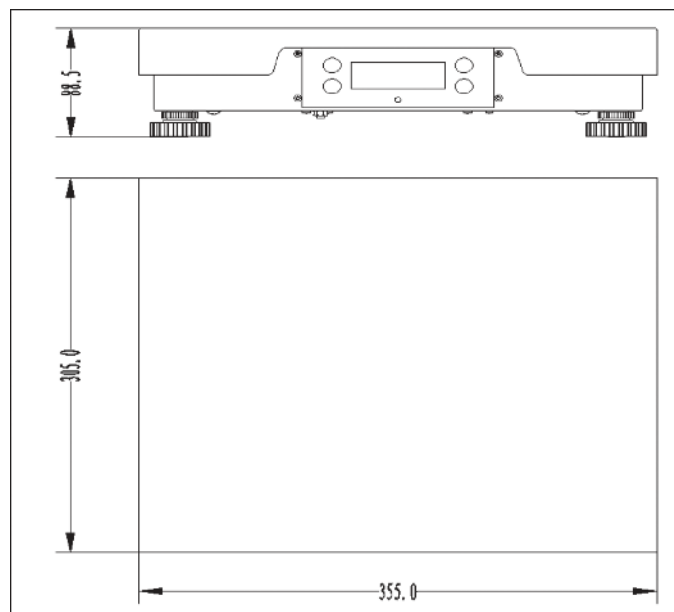


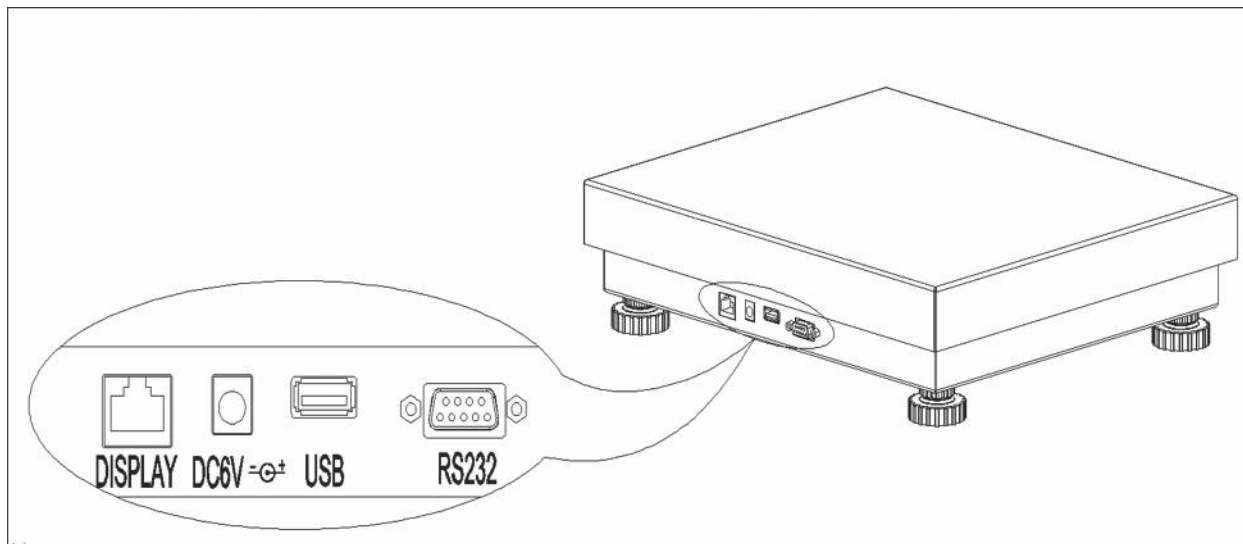
▶ Used to Scroll between values and enter in to menu step.



Backlight

Specification





Interface details

Keypad: 3 push buttons

Load cell excitation:

5Vdc,

Maximum current: 20mA

Communication:

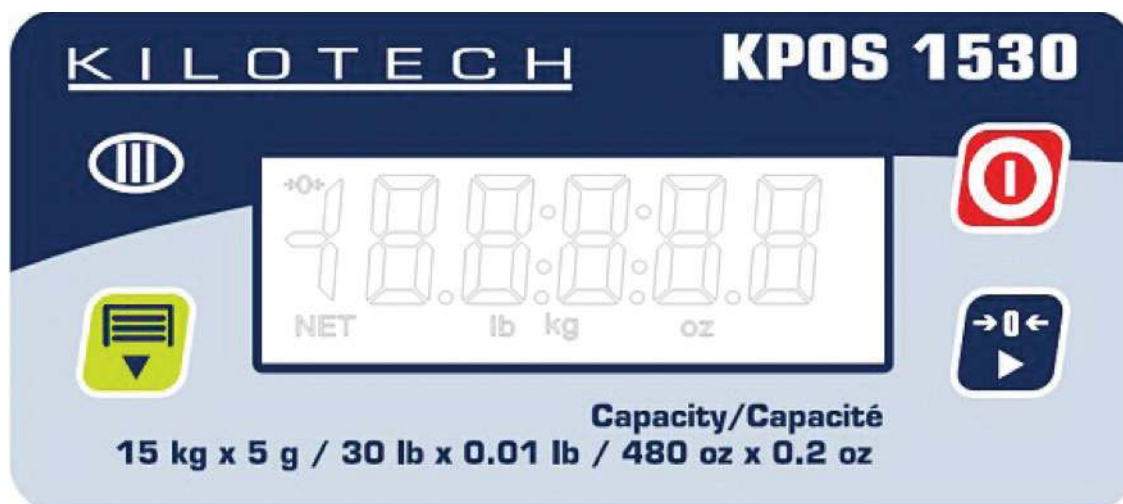
Optional serial port: USB (Virtual RS232), RS232

Baud rate: selectable: 1200-2400-4800-9600-19200-38400 bps

Data output format: 8N1, 7O1, 7E1

Protocol: Programmable

Faceplate



Illuminates when the scale is at zero and the gross weight is 0

lb Illuminates when the measure of unit is lb

oz Illuminates when the measure of unit is oz

kg Illuminates when the measure of unit is kg

Operation Menu Structure

Normal weighing mode

Calibration switch is off

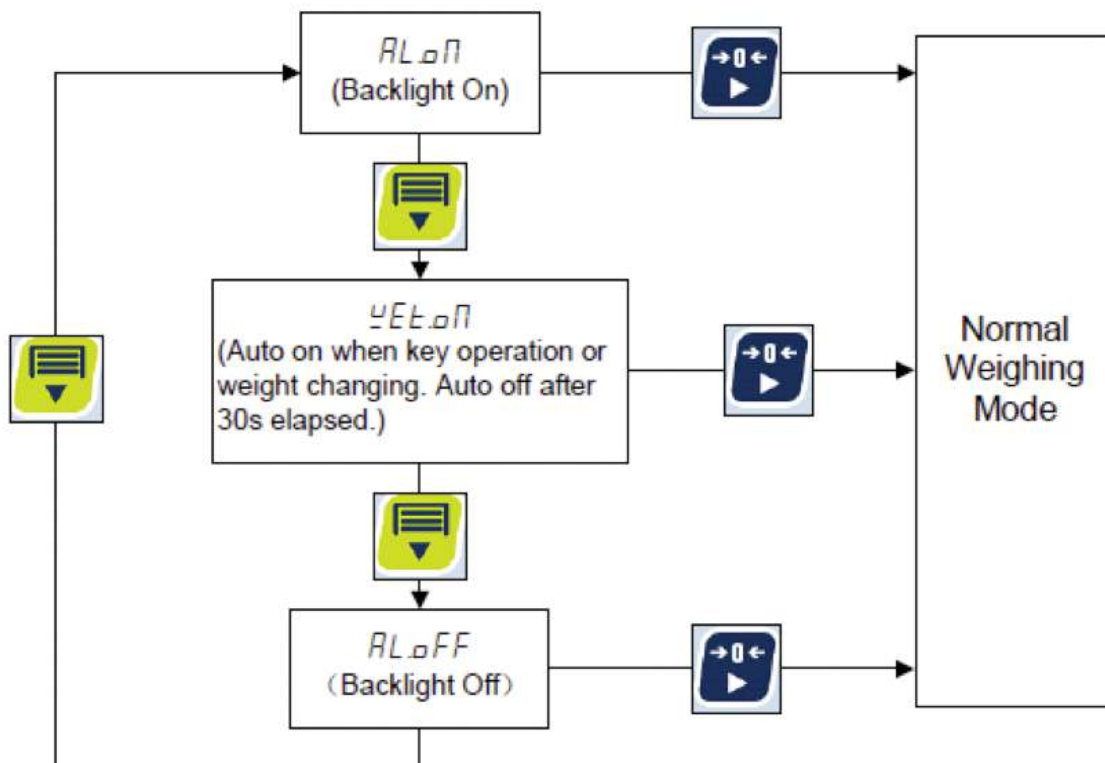
Use the MENU key to toggle between AL.ON , WT.ON , or AL.OFF.

AL.ON = backlight on

WT.ON = backlight automatically is on during key operation or when changing weight and will auto off after 30 seconds have elapsed.

AL.OFF= backlight off

Press zero to confirm the setting. The scale will revert back to normal weighing mode.



Operation

Power on the scale: When the scale is off, press ON / OFF to turn it on;

Power off the scale: When the scale is on, press ON / OFF to turn it off;

ZERO: When the weight is stable and within the zero range (2% FS), press the ZERO key to set the new zero point.

When the weight superceeds the zero range, press the ZERO key to tare the weight.

Symbol Definitions and Troubleshooting

0 - - - - -	The zero point is higher than the setting range.
0 _ - - - -	The zero point is lower than the setting range.
AD - - - - -	Signal to ADC is higher than the setting range.
AD _ - - - -	Signal to ADC is lower than the setting range.
- - - - -	The weight is higher than the upper limitation, or the display data is over limitation.
- - - - -	The weight is below the lower limitation.
EEP.E1	The parameters CONFIG or CAL are not correctly set.
EEP.E2	USER parameter is not correctly set.
CAP.---	Capacity will be the next displaying content.
CAP.ER	Capacity parameters are not correct.
OFF	Power OFF the indicator.

Troubleshooting		
Symptom	Possible Cause	Solution
Ad - - - - -	Load cell wires that are connected to the indicator are:	a) Make sure the wires are ok and that they are correctly connected. b) Replace the load.
Ad _ - - - -	a) incorrectly connected, b) shorted or c) open; Another possibility is that the ADC, load cell is damaged.	
0 - - - - -	The zero point is higher than the setting range.	a) Make sure the scale platform is empty. b) Perform the zero calibration.
0 _ - - - -	The zero point is lower than the setting range.	a) Install platform on scale. b) Perform the zero calibration.
- - - - -	The weight reading exceeds the overload limit or the weight value cannot be displayed in the current unit of measure as it exceeds 6 digits.	a) Reduce the load on the scale until the weight value can be displayed. b) Use a more appropriate weight measure. c) Reset some parameters in CONFIG or USER.
- - - - -	Weight reading is below the Under load limit.	a) Install platform on scale. b) Perform the zero calibration.
EEP.E1	CONFIG or CAL parameters are not correctly set.	Reset the items in CONFIG and recalibrate.
EEP.E2	USER parameter is not correctly set.	Reset the items in USER.
CAP.ER	Capacity parameters are not correctly set.	Set PRIM.N / PRIM.d / SECD.N to the correct number and make sure the capacity is not more than 6 digits.
The scale will not turn on	a) The power cord is not plugged in. b) The power cord is not properly connected. c) The Power outlet is not supplying electricity.	a) Check the power cord connections. b) Make sure the power cord is plugged into the power outlet. c) Check power source.
The scale will either not zero when turned on or it will not display zero	a) Load on scale may exceed allowable limits. b) The load on the scale may not be stable. c) The load cell may be damaged.	a) Remove the load from the scale. b) Wait for the load to become stable.

Packing List

No.	Item	Qty
1	Scale	1
2	Quick Start Guide	1
3	AC Adapter	1
4	RS232 cable	1
5	USB cable	1
6	Post display option	Optional

VERSION	DESCRIPTION	DATE
V1.0	Initial version	2014-4-22